

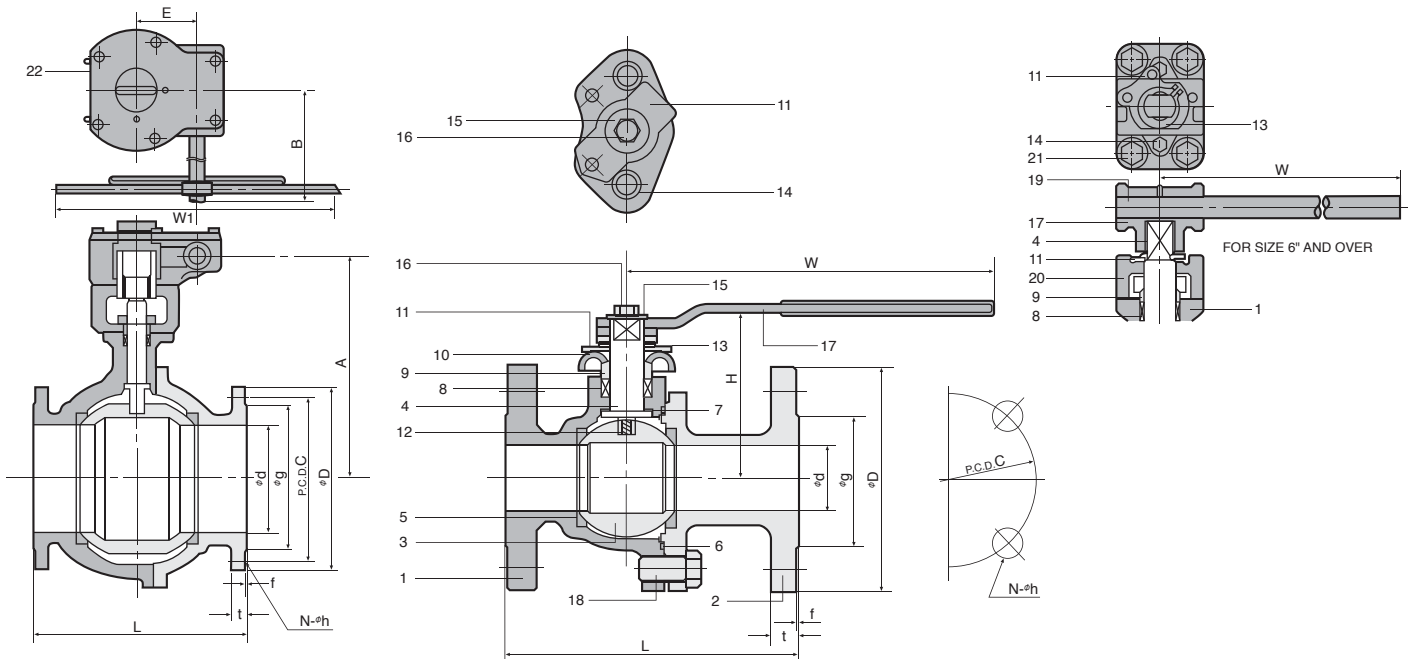
T-SERIES BALL VALVES

フランジ付ボールバルブの決定版

- ① 飛出し防止ステム
- ② 誤操作防止ハンドル
- ③ 開閉ロック機構を標準装備
- ④ 帯電防止機構(オプション)
- ⑤ ファイアーセーフ構造(テスト合格品)
- ⑥ 独自のボールシートによる低トルク
- ⑦ 簡単にできる自動化

THE LAST WORD IN FLANGED ENDS BALL VALVES

- ① Blow-Out Proof Stem
- ② Two Flat Stem
- ③ Locking Device as Standard
- ④ Anti-Static Device(Option)
- ⑤ Fire-Safe Construction(Being Passed the Test)
- ⑥ Lower Torque by Unique Ball Seat
- ⑦ Easy to Mount Actuator



MODEL No.

T - 103

SIZE

FLANGE RATING
JIS10K
JIS20K
ANSI150LB
ANSI300LB

BODY MATERIAL
SCS13(CF8)
SCS14(CF8M)
SCPH2(WCB)

SPECIAL

10
25
15
30

3
4
2

No.	NAME	MATERIAL(SCPH2)	MATERIAL(SCP13)	MATERIAL(SCP14)
1	BODY	SCPH2(WCB)	SCS13(CF8)	SCS14(CF8M)
2	CAP	SCPH2(WCB)	SCS13(CF8)	SCS14(CF8M)
3	BALL	304SS/SCS13(CF8)	304SS/SCS13(CF8)	316SS/SCS14(CF8M)
4	STEM	304SS	304SS	316SS
5	BALL SEAT	PTFE	PTFE	PTFE
6	BODY GASKET	PTFE	PTFE	PTFE
7	THRUST BEARING	PTFE	PTFE	PTFE
8	GRAND PACKING	PTFE	PTFE	PTFE
9	GLAND RING	304SS	304SS	316SS
10	GLAND FLANGE	STEEL	304SS	304SS
11	STOPPER	STEEL	304SS	304SS
12	SPRING	316SS	316SS	316SS
13	SNAP RING	STELL	304SS	304SS
14	GLAND BOLT	STELL	304SS	304SS
15	HANDLE WASHER	STELL	STELL	STELL
16	HANDLE BOLT	STELL	STELL	STELL
17	HANDLE	STELL/DUCTILE	STELL/DUCTILE	STELL/DUCTILE
18	BOLT	STELL	304SS	304SS
19	HANDLE PIPE	STELL	STELL	STELL
20	YOKE	DUCTILE	DUCTILE	DUCTILE
21	YOKE BOLT	STELL	STELL	STELL
22	GEAR	STELL	STELL	STELL

●=ANTI-STATIC ●=ZnPLATED ●=STEEL(Zn PLATED)/DUCTILE(PAINTED) ●=PAINTED

BALL VALVE

GATE VALVE

GLOBE VALVE

CHECK VALVE

OTHER VALVE

TECHNICAL DATA