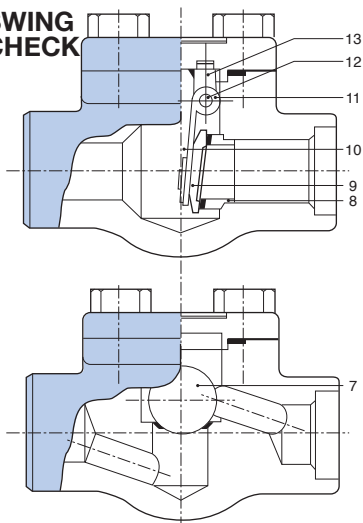


# FORGED STEEL CHECK VALVE

016

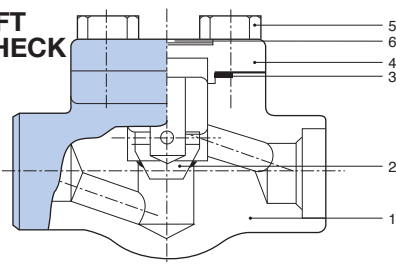
## SWING CHECK



### PART NAME

1. BODY
2. DISC (PISTON)
3. GASKET
4. COVER
5. COVER BOLT
6. NAME PLATE
7. BALL
8. SEAT RING
9. DISK
10. SEATING RING
11. HINGE
12. HINGE PIN
13. SUPPORT

## LIFT CHECK



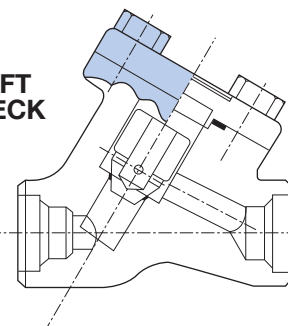
### RATING [ASME/ANSI B 16.34]

- CARBON STEEL : TABLE 2-11
- ALLOY STEEL : TABLE 2-15-2-1.14
- STAINLESS STEEL : TABLE 2-2.1-2-2.5

### END CONNECTIONS

- SOCKET WELD : ASME/ANSI B 16.11
- THREAD (NPT, PT) : ASME/ANSI B 1.20.1
- BUTT WELD : ASME/ANSI B 16.25

## Y-LIFT CHECK



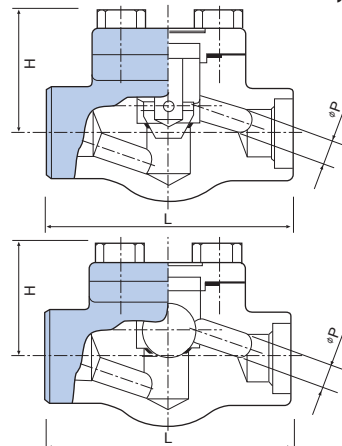
### STANDARDS

- CONSTRUCTION : API 602  
ASME/ANSI B 16.34

### INSPECTION AND TEST

- : API 598  
ASME/ANSI B 16.34

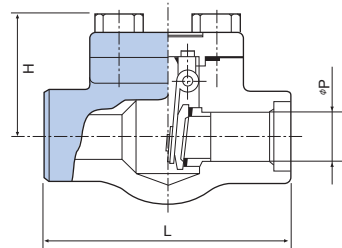
## BOLTED COVER / SW, PT(NPT), BW, CLASS 800 / 1500 STANDARD BORE



### LIFT CHECK / BALL CHECK

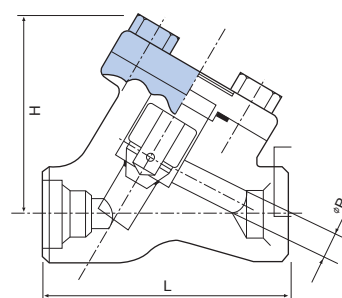
CL	VALVE SIZE	1/4		3/8		1/2		3/4		1		1-1/4		1-1/2		2	
800	L (mm/in)	76	3	76	3	76	3	92	3.62	104	4.09	140	5.5	140	5.5	146	5.75
	H (mm/in)	46	1.8	46	1.8	46	1.8	56	2.2	65	2.5	75	2.95	75	2.95	100	3.94
	P (mm/in)	6.4	0.25	9.5	0.38	9.5	0.38	12.7	0.5	17.5	0.69	24	0.94	29.5	1.16	35	1.38
	Wt (kg/lb)	1	2.2	1	2.2	1	2.2	1.5	3.3	2	4.4	4.1	9	4.1	9	6.4	14.08
	Typical Cv Factor	0.7		1		1		2.7		5.4		16		18.5		20	
Fig No.	B8*4R B8*5R																
1500	L (mm/in)	92	3.62	92	3.62	92	3.62	104	4.09	140	5.5	146	5.74	146	5.74	210	8.27
	H (mm/in)	56	2.2	56	2.2	56	2.2	65	2.5	75	2.95	100	3.94	100	3.94	125	4.92
	P (mm/in)	6.4	0.25	9.5	0.38	9.5	0.38	12.7	0.5	10	0.63	22	0.87	27	1.06	35	1.38
	Wt (kg/lb)	1.5	3.3	1.5	3.3	1.5	3.3	2	4.4	4.1	9	6.4	14.08	6.4	14.08	9.8	21.6
	Typical Cv Factor	0.7		1		1		2.7		5.4		16		18.5		20	
Fig No.	B15*4R B15*5R																

### SWING CHECK



CL	VALVE SIZE	1/4		3/8		1/2		3/4		1		1-1/4		1-1/2		2	
800	L (mm/in)	76	3	76	3	76	3	92	3.62	104	4.09	115	4.53	115	4.53	146	5.75
	H (mm/in)	46	1.8	46	1.8	46	1.8	56	2.2	65	2.5	75	2.95	75	2.95	100	3.94
	P (mm/in)	6.4	0.25	9.5	0.38	9.5	0.38	12.7	0.5	18	0.71	28.6	1.13	28.6	1.13	37.5	1.48
	Wt (kg/lb)	1	2.2	1	2.2	1	2.2	1.5	3.3	2	4.4	4.1	9	4.1	9	6.4	14.08
	Typical Cv Factor	2.4		6		6		11.3		26.3		63		78		115	
Fig No.	B8*3R																
1500	L (mm/in)	92	3.62	92	3.62	92	3.62	104	4.09	115	4.53	146	5.74	146	5.74	210	8.27
	H (mm/in)	56	2.2	56	2.2	56	2.2	65	2.5	75	2.95	100	3.94	100	3.94	125	4.92
	P (mm/in)	6.4	0.25	9.5	0.38	9.5	0.38	12.7	0.5	18	0.71	28.6	1.13	28.6	1.13	37.5	1.48
	Wt (kg/lb)	1.5	3.3	1.5	3.3	1.5	3.3	2	4.4	4.1	9	6.4	14.08	6.4	14.08	9.8	21.6
	Typical Cv Factor	2.6		6		6		11.3		26.3		63		78		115	
Fig No.	B15*3R																

### Y-LIFT CHECK / BALL CHECK



CL	VALVE SIZE	1/4		3/8		1/2		3/4		1		1-1/4		1-1/2		2	
800	L (mm/in)	76	3	76	3	76	3	90	3.55	102	4.02	124	4.89	124	4.89	152	5.98
	H (mm/in)	87	2.8	46	2.6	67	2.6	77	3	80	3.15	111	4.4	111	4.4	138	5.4
	P (mm/in)	6.4	0.25	9.5	0.38	12	0.47	15	0.59	18	0.71	24	0.94	30	1.18	36	1.42
	Wt (kg/lb)	12	2.6	1.2	2.6	1.2	2.6	1.4	3.1	2.4	5.3	5.2	11.5	5.2	11.44	7	15.4
	Typical Cv Factor	3.5		5.5		5.5		11.5		16.5		21		27		32	
Fig No.	YB8*4R YB8*5R																
1500	L (mm/in)	90	3.55	90	3.55	90	3.55	102	4.02	124	4.89	152	5.99	152	5.98	200	7.87
	H (mm/in)	77	3	77	3	77	3	80	3.15	111	4.4	138	5.4	138	5.4	178	7.01
	P (mm/in)	6.4	0.25	9.5	0.38	12	0.47	15	0.59	20	0.79	23.5	0.93	31	1.22	38	1.5
	Wt (kg/lb)	1.4	3.1	1.4	3.1	1.4	3.1	2.4	5.3	5.2	11.5	7	15.4	7.1	15.62	10.3	22.7
	Typical Cv Factor	3.5		5.5		5.5		11.5		16.5		21		27		32	
Fig No.	YB15*4R YB15*5R																

BALL VALVE

GATE VALVE

GLOBE VALVE

CHECK VALVE

OTHER VALVE

TECHNICAL DATA