

# BUTTERFLY VALVE

025

KVCでは、数多くの機種を揃えるため、新たにバタフライバルブもアイテムの一つとして加えました。ボールバルブに始まり、現在では一般弁のメーカーとしても世界のお客様からのご信頼にお応えしています。特にKVCでは、メタルシートバタフライバルブについての研究開発を重点的に進めていますので、お客様からのお問い合わせやご相談をお待ちしています。

## Valve Component & Materials

**BODY** Cast iron,  
Ductile iron,  
Carbon Steel,  
Steel Castings,

**DISC** Ductile iron,  
Carbon Steel,  
Steel Castings,

**SHAFT** Stainless Steel,

## Features

- Metal to Metal Seats
- Virtually Maintenance Free
- Solid Bronze Bearings
- Wide Range of Sizes (~80")
- Easily Operated by one Person

## Metal to Metal Seats

Metal Seats Butterfly Valves feature wide, weld-on monel metal seats which eliminate the erosion and abrasion failures common to polymer and elastomer seals in other types of valve. The Metal to Metal seats do not require replacement or preventive maintenance and guarantee dependable operation. Metal to Metal seating allows the valve to be installed in tough applications where velocities are high and continuous throttling is necessary.

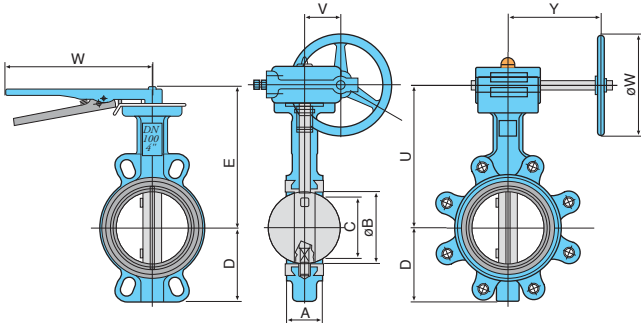
## Ratings

7.5kgf/cm<sup>2</sup>, 10kgf/cm<sup>2</sup>, 16kgf/cm<sup>2</sup>



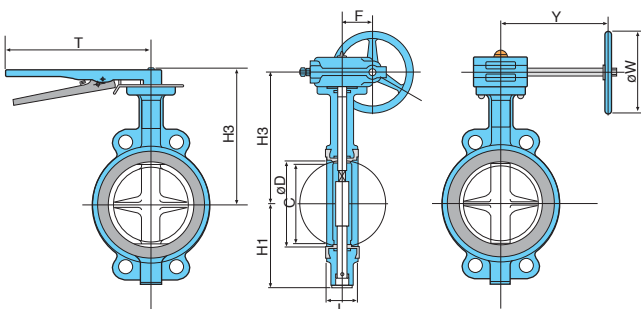
## 型式KVF-735 [WAFER TYPE]/KVF-755 [FULLY LUG TYPE] 2"~12"

VALVE SIZE	DIMENSIONS (m/m)											WEIGHT (kg) LEVER OPERATED		WEIGHT (kg) GEAR OPERATED	
	m/m	inch	A	B	C	D	E	T	U	V	Y	W	WAFER TYPE	LUG TYPE	WAFER TYPE
50	2	43	57	38	82	175	200	171	45	125	150	3.7	4.2	7.0	7.5
65	2-1/2	46	70	53	92	186	200	182	45	125	150	4.5	5.0	7.8	8.3
80	3	46	82	68	98	193	200	189	45	125	150	4.7	5.7	8.0	9.0
100	4	52	104	90	113	213	260	209	45	125	150	6.5	8.8	9.3	11.6
125	5	56	127	114	127	228	260	224	45	125	150	8.5	10.5	11.3	13.3
150	6	56	150	139	141	242	260	238	45	125	150	9.4	11.6	12.2	14.4
200	8	60	194	185	172	278	355	273	71	230	250	16.3	20.3	21.0	25.0
250	10	68	247	238	210	323	355	318	71	230	250	24.0	29.3	28.7	34.0
300	12	78	297	287	242	346	355	341	71	230	250	35.3	46.3	40.0	51.0

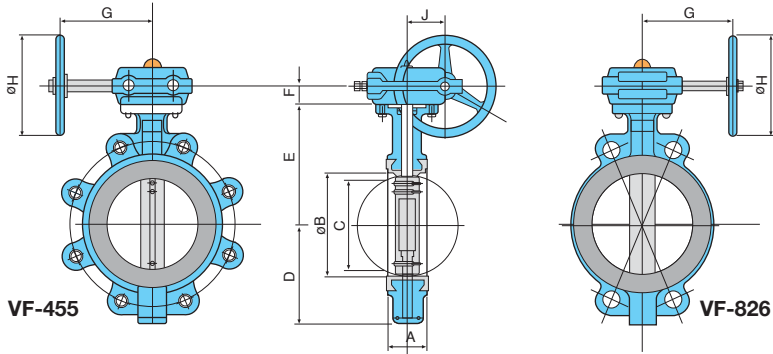


## 型式KVF-80 [WAFER TYPE] 2"~24"

VALVE SIZE	DIMENSIONS (m/m)											OPERATION TORQUE (Nm)	OPERATION FLANGE ISO 5211
	m/m	inch	L	C	D	H1	H2	H3	F	Y	W		
50	2	43	42	57	90	169	175	45	125	150	200	37	F7
65	2-1/2	46	54	71	95	181	187	45	125	150	200	43	F7
80	3	46	68	82	108	188	194	45	125	150	200	67	F7
100	4	52	90	104	131	207	213	45	125	150	260	90	F7
125	5	56	114	127	145	223	229	45	125	150	260	150	F7
150	6	56	139	150	165	236	242	45	125	150	260	225	F7
200	8	60	184	194	200	270	277	71	230	250	355	416	F10
250	10	68	230	240	228	326	—	95	290	350	—	672	F12
300	12	78	276	287	261	349	—	95	290	350	—	928	F12
350	14	78	333	342	272	340	—	95	290	350	—	1330	F14
400	16	102	368	387	310	370	—	95	290	350	—	1776	F14
450	18	114	417	436	350	410	—	95	290	350	—	1800	F14
500	20	127	471	488	380	470	—	115	360	350	—	2250	F16
600	24	154	565	581	430	560	—	115	360	350	—	2626	F16



## 型式KVF-826 [WAFER TYPE] 14"~24"

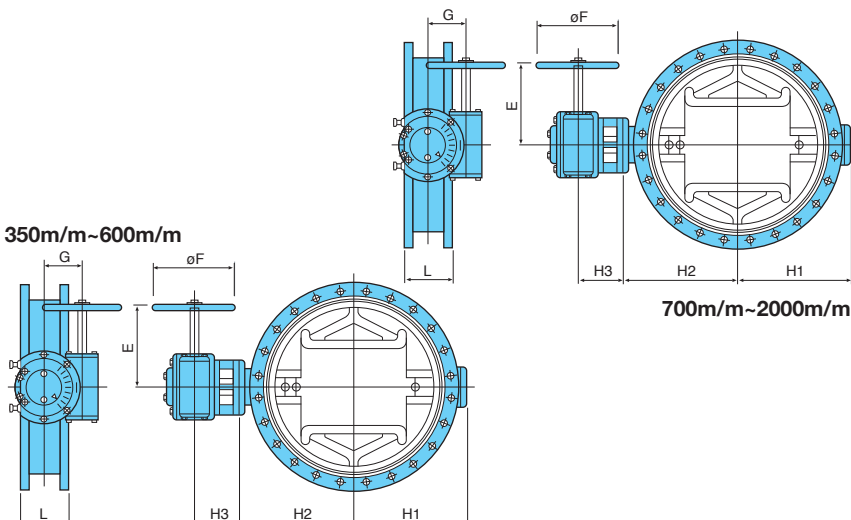


VALVE SIZE		DIMENSIONS(m/m)									OPERATION TORQUE (Nm)	OPERATION FLANGE ISO 5211	WEIGHT (kgs)
m/m	inch	A	ΦB	C	D	E	F	J	G	ΦH			
350	14	78	332	325	272	325	40	95	290	350	830	F14	63
400	16	86	387	378	295	355	40	95	290	350	1110	F14	75
450	18	105	436	425	330	395	40	95	290	350	1390	F14	95
500	20	130	488	472	360	400	70	114	360	350	1730	F16	140
600	24	150	581	564	430	490	70	114	360	350	2020	F16	220

## 型式KVF-81 [WAFER TYPE] 3"~21"



## 型式KVF-264 [FLANGE TYPE] 14"~78"



VALVE SIZE		DIMENSIONS(m/m)						
m/m	inch	L	H1	H2	H3	E	G	ΦF
350	14	203	270	300	190	290	98	350
400	16	203	315	350	190	290	98	350
450	18	203	345	357	190	290	98	350
500	20	203	370	390	190	290	115	350
600	24	203	430	455	190	290	115	350
700	28	305	515	535	220	360	15	350
750	30	305	520	538	220	360	15	350
800	32	305	580	616	220	360	15	350
900	36	305	620	660	245	462	20	350
12000	40	305	650	700	245	462	20	350
1050	42	305	703	723	330	487	30	350
1100	44	205	730	750	330	487	30	350
1200	48	381	786	806	370	487	30	350
1350	54	381	872	892	370	570	40	350
1500	60	381	957	977	370	570	40	350
1650	66	457	1046	1066	450	570	40	350
1800	72	457	1129	1150	450	600	50	350
2000	78	500	1210	1230	450	600	50	350

BALL VALVE

GATE VALVE

GLOBE VALVE

CHECK VALVE

BUTTERFLY VALVE

TECHNICAL DATA